

3 in 1 pH/Reference/Temperature Electrodes



Available for many popular makes and models of benchtop pH meters

Durable Epoxy body construction

Shipped in soaking solution ready for immediate use

Value price for 3 electrodes in 1!

Gel-filled reference, choice of single or double junction

Sensorex 3-in-1 combination electrodes are excellent choices for applications requiring pH, reference, and automatic temperature compensation (ATC). The 3-in-1 electrode operates like three separate electrodes, at a value price, you would pay for only one electrode.

These electrodes are designed to retrofit the original factory electrodes supplied with your meter but at substantial savings. Built into the body is an ATC element compatible with your meter. Combine the ATC element with the Sensorex durable and proven epoxy body pH electrode and you will get a premium quality direct fit: a 3-in-1 replacement pH electrode.

Specifications

pH Measuring Range	0-14 pH (Na+ error >12.3 pH)
Temperature Range	0-70 Degrees C
Wetted Materials	Epoxy, Silicone, Pellon®, pH Glass, leaded glass
Temp Comp	10K NTC, 30K NTC or Pt1000 RTD (see ordering information)
Cable Length	30 inches
Response Speed pH	>90% in 1 second

Distributed By:



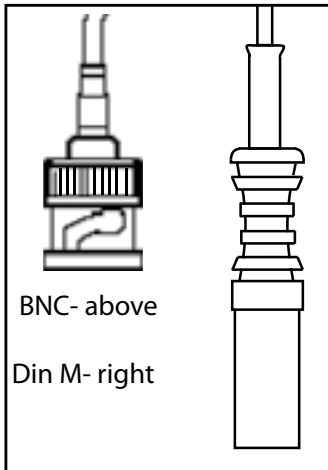
Adelab Scientific
 36 Holland Street
 Thebarton SA 5031
 Ph 08 8234 7955
 Fax 08 8234 7897
 info@adelab.com.au
 www.adelab.com.au

Parts covered by this product data sheet include:
 S290C, S291C, S292C, S293C S294C, S295C S296C,
 S297C, S298C, S299C

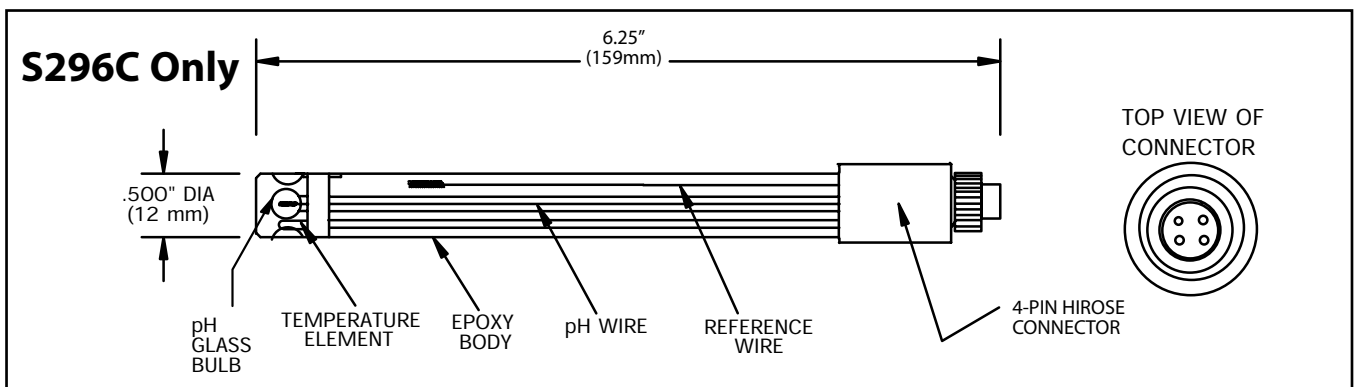
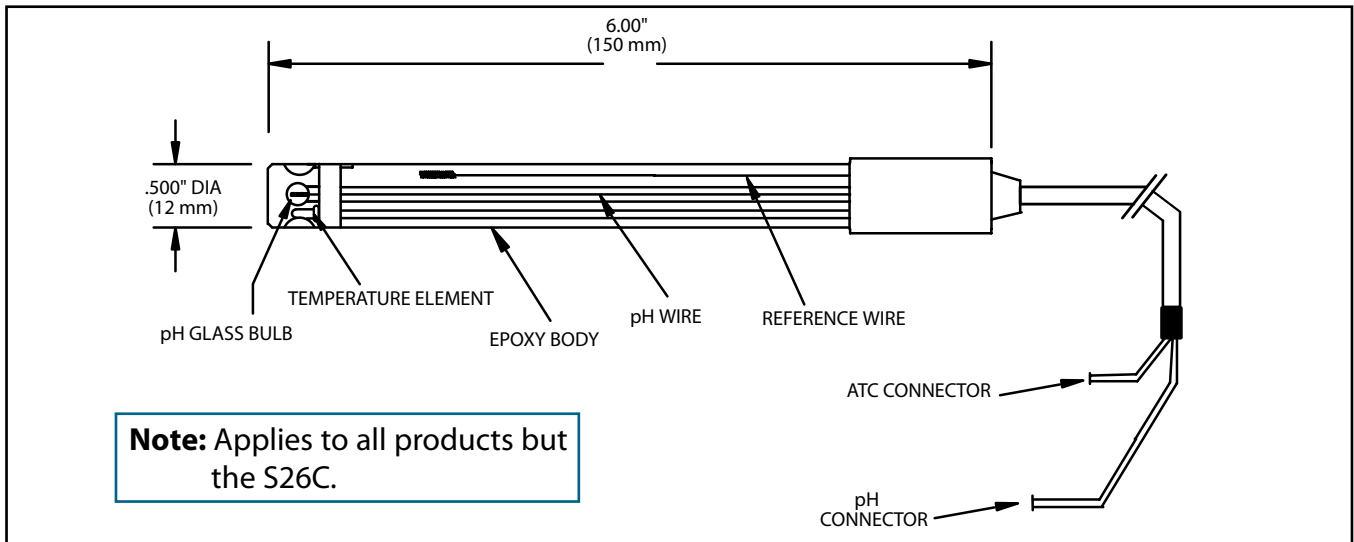
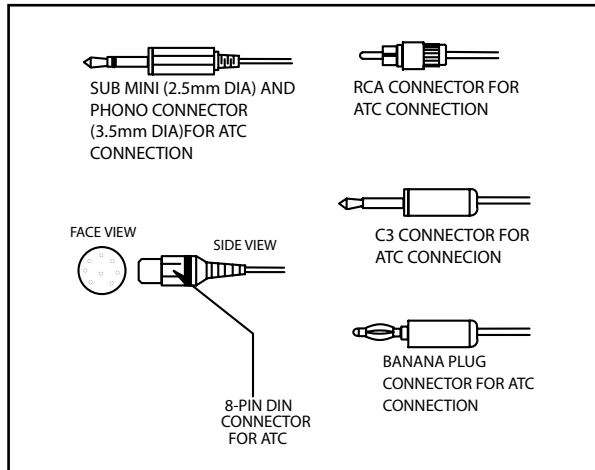


3 in 1 pH/Reference/Temperature Electrodes

pH Connectors



Temperature (ATC) Connectors



3 in 1 pH/Reference/Temperature Electrodes

Ordering Information

All 3-in-1 pH/Reference/ATC electrodes are supplied with 36 inches of cable and specific connectors to match meter by brand and model number.

Part Number	Used With Meter	ATC Element Type	Connectors
S290C	Orion Series A, HACH EC	30K NTC	BNC + 8-pin DIN
S291C	Orion Series EA/SA	30K NTC	BNC + Banana Plug x 2
S292C	Corning	30K NTC	BNC + Phono plug
S293C	Custom Configurable	Specify	Specify
S294C	HACH One	30K NTC	BNC + C3
S295C	WTW	30K NTC	DIN M + 1 each 4mm Banana plug
S296C	Jenco Instruments, 1671, 6072, 6091N	10K NTC	4-pin Hirose
S298C	Fisher Scientific	10K NTC	BNC + sub-mini phono plug
S299C	Mettler Toledo	1000 Ohm RTD	DIN M + 3.5mm phono plug

Distributed By:



Adelab Scientific
 36 Holland Street
 Thebarton SA 5031
 Ph 08 8234 7955
 Fax 08 8234 7897
 info@adelab.com.au
 www.adelab.com.au



11751 Markon Dr.
 Garden Grove, CA 92841 USA
 Tel: 714-895-4344
 Fax: 714-894-4839
 E-mail: info@sensorex.com
 www.sensorex.com