



Frontier™ 5306

Mini Centrifuge

Distributed By:



Adelab Scientific
36 Holland Street
Thebarton SA 5031
Ph 08 8234 7955
Fax 08 8234 7897
info@adelab.com.au
www.adelab.com.au



Only \$250.00 Ex-GST



Powerful and Convenient Mini Centrifuge for Simple and Rapid Life Science Separation Applications!

The OHAUS Frontier 5306 is a powerful mini centrifuge for simple and rapid liquid separation. The Frontier 5306 includes an 8-position 1.5/2 mL tube rotor as well as a 4-position 8-strip PCR tube rotor that can accommodate 32 individual PCR tubes or 0.2mL strip tubes. With the included adapters, 0.2 mL and 0.5 mL strip tubes can also be accommodated in the 8 position tube rotor, further increasing its versatility. Frontier 5306 also has a quick release design in which the rotors can be removed and installed without the use of any tools. This centrifuge provides quiet, safe, and easy operation for your everyday quick spin-down applications.

Standard Features Include:

- **A Quiet Motor and Rubber Base Assure Quiet Operation**—With a low voltage power input, quiet motor, and rubber base that absorbs vibrations, Frontier 5306 keeps operational noise to a minimum and reduces disruptions in the laboratory.
- **Multiple Protective Features Ensure the Safety of Centrifuge Operator**—Frontier 5306 has many safety attributes, including a low voltage power input, sturdy lid, and two safety switches which immediately stop the rotors should the lid open while in rotation. An imbalance sensor also stops the centrifuge if the rotors become imbalanced or sudden shock occurs, protecting the operator from being injured by the high-speed spinning rotors.
- **Simple One-Step Operation**—Frontier 5306 takes simple operation to a new level. Once the device is powered on, simply place your sample in the centrifuge, close the lid, and it will begin to rotate. Not even one button press is needed in order to separate your sample.

Frontier™ 5306 Mini Centrifuge

Model	FC5306	
Rotor	Angle Rotor	Tube Bank Rotor
Rotating Speed Scope	6000 rpm	
Centrifugal Force	2000 g	
Rotating Direction	Counterclockwise	
Maximum Capacity	8 × 1.5 ml / 2 ml	4 × 0.2 ml-PCR 8-tube bank
		or 32 × 0.2 ml single centrifugal tube
Adapter	0.2 ml / 0.5ml	—
Accelerating Time	≤2 s	
Decelerating Time	≤3 s	
Drive Mode and Motor	Direct drive, with low noise attributable to rolling bearing	
Power Supply	Input: 100-240V ~ 50/60Hz 1.5A Output: 24V $\overline{\text{---}}$ 2.0A	
Dimensions (W × D × H)	5.9 × 6.6 × 5.0 in. / 150 × 168 × 128 mm	
Net Weight	2.3 lb / 1.1 Kg (including free-load angle rotor)	
Shipping Dimensions (W × D × H)	8.5 × 12.0 × 7.6 in. / 216 × 305 × 194 mm	
Shipping Weight	4.1 lb / 1.9 Kg	

Standard Equipment

Mini Centrifuge, AC adapter, Angle rotor (8 × 1.5 ml / 2 ml), 0.2 ml tube bank rotor for PCR 8-tube bank, Eight 0.5 ml adapters and eight 0.2 ml adapters, Manual

Approvals

- **Product Safety:** IEC/EN 61010-1:2010, IEC/EN 61010-2-020:2006
- **Electromagnetic Compatibility:** FCC Part 15 Class B, ICES-001 Class B, EN 61326-1:2013, Class B, Basic environments, IEC 61326-1:2012, Class B, Basic environments

Rotors

Angle Rotor, 8 x 1.5 ml / 2 ml 30129559

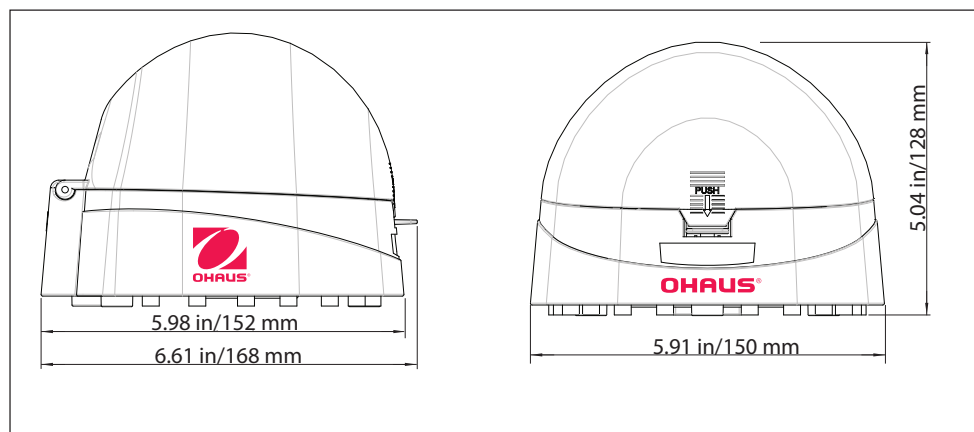
Angle Rotor, 4 x 0.2 ml PCR8 30129560

Accessories

Adapter for 0.2 ml Tube (8PCS/Package) 30129561

Adapter for 0.5 ml Tube (8PCS/Package) 30129562

Dimensions



Adelab
Scientific

ADELAB SCIENTIFIC
36 Holland Street
Thebarton SA 5031
Ph 08 8234 7955
Fax 08 8234 7897
Email: info@adelab.com.au
Web: www.adelab.com.au

OHAUS CORPORATION

* 7 Campus Drive
Suite 310
Parsippany, NJ 07054 USA

Tel: 800.672.7722
973.377.9000
Fax: 973.944.7177

www.ohaus.com

With offices throughout
Europe, Asia, and
Latin America

*ISO 9001:2008
Registered Quality
Management System

